



- 220 V AC
-
- 2
- 2
-
-
-
-
-
- IP 67

ISO 5211

SP 1

	281.	x	-	x	x	x	x	x	/	x	x
--	------	---	---	---	---	---	---	---	---	---	---

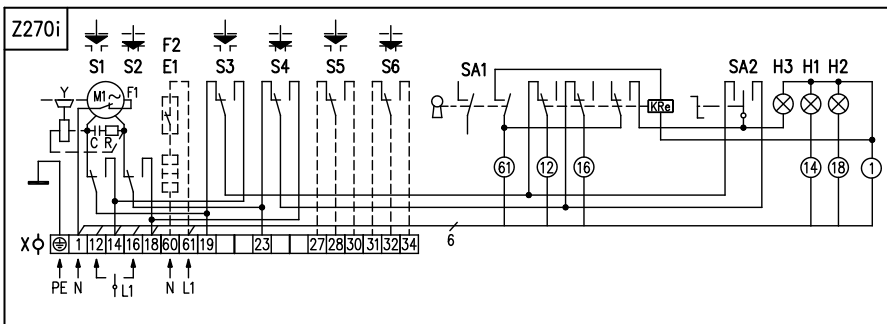
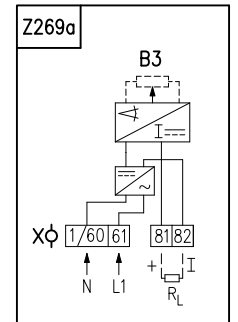
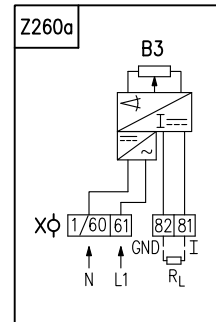
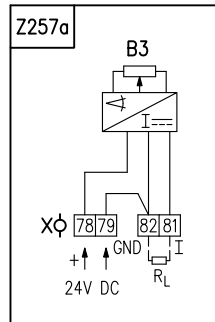
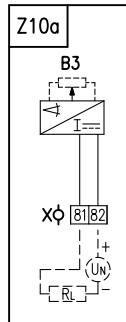
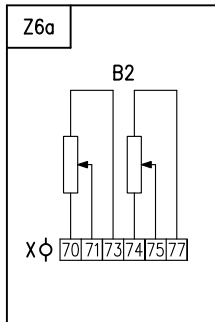
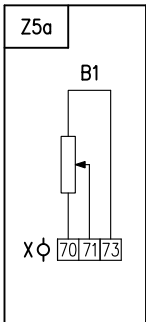
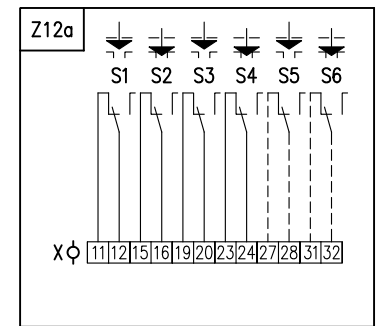
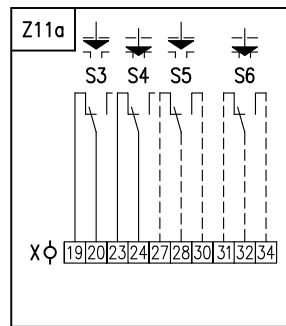
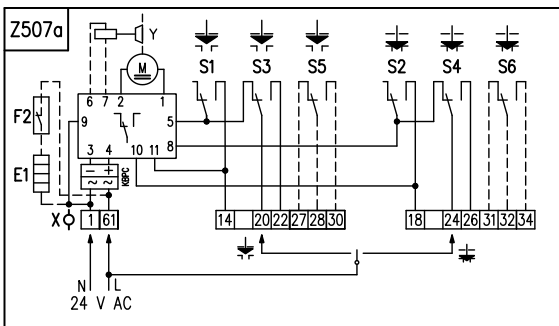
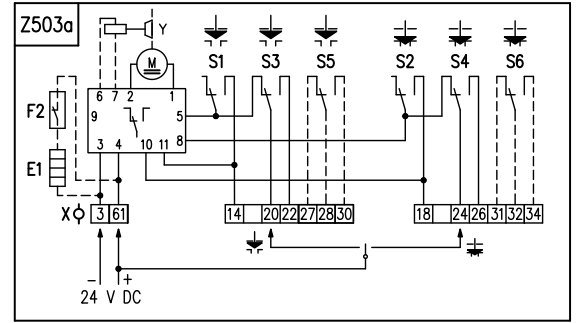
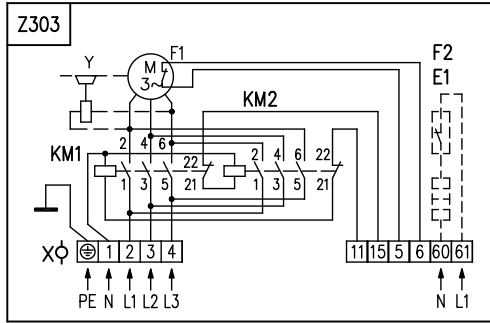
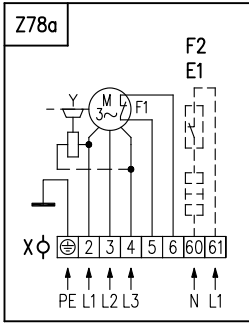
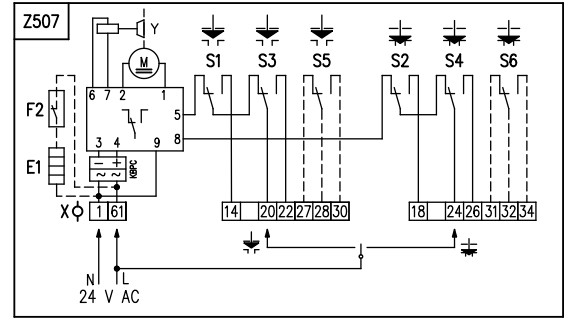
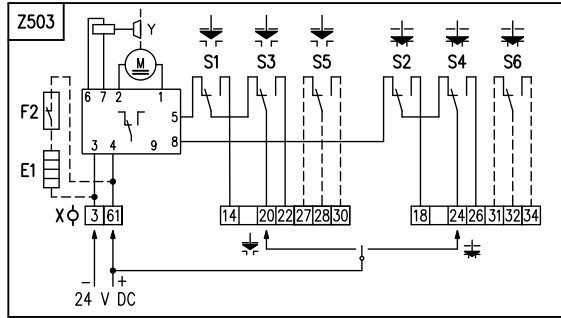
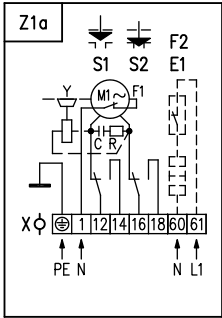
3.1	o e	-25°C ... +55°C	C3	IP 67	1
		-25°C ... +55°C	C3	IP 68 ¹¹⁾	5
B2	+	-25°C ... +55°C	C4	IP 67	2
2		-50°C ... +40°C	C3	IP 67	3
2		-25°C ... +55°C	C3	IP 67	6
1	-	-50°C ... +40°C	C4	IP 67	7
2		-60°C ... +40°C	C3	IP 67	8

	230 V AC	Z1a + Z11a	0
	220 V AC		L
	3x400 V AC	Z78a + Z12a ²²⁾	9
	3x380 V AC	Z78a + Z12a ²²⁾	M
	24 V AC	Z507	3
	24 V DC	Z503	A
21)	230 V AC	Z1a + Z11a	5
	220 V AC		P
	3x400 V AC	Z78a + Z12a ²²⁾	7
	3x380 V AC	Z78a + Z12a ²²⁾	R
	24 V AC	Z507	8
	24 V DC	Z503	C

			230 V, 220 V AC		3x380, 3x400 V AC 24 V AC/DC			
				[W]		[W]		
						AC	AC/DC	
46 Nm	40 Nm	-	10 s/90°	15	10 s/90°		0	
90 Nm	80 Nm	63 Nm	20 s/90°		20 s/90°	15	20	1
90 Nm	80 Nm	63 Nm	40 s/90°		40 s/90°			2
72 Nm	63 Nm	50 Nm	80 s/90°	4	-	-	3	

	60°	A
	90°	B
	120°	C
	160°	D
	60°	K
	90°	L
	120°	M
	160°	N
	360°	P
	> 0°L 360° ⁴¹⁾	Z

SP 1, SP 2, SP 2.3, SP 2.4

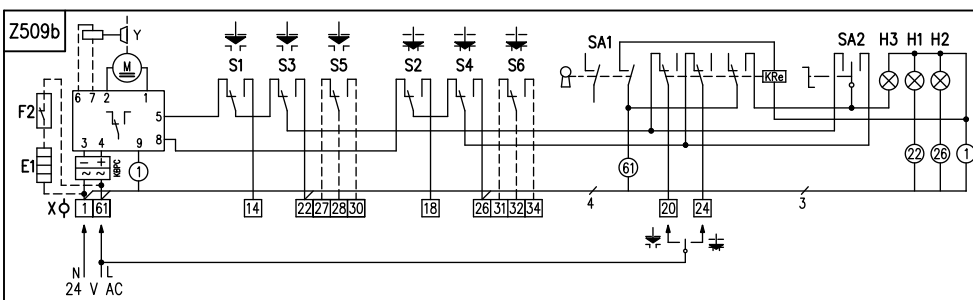
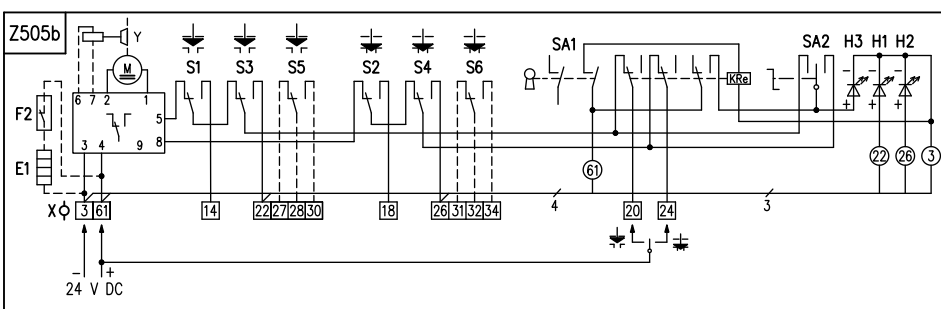
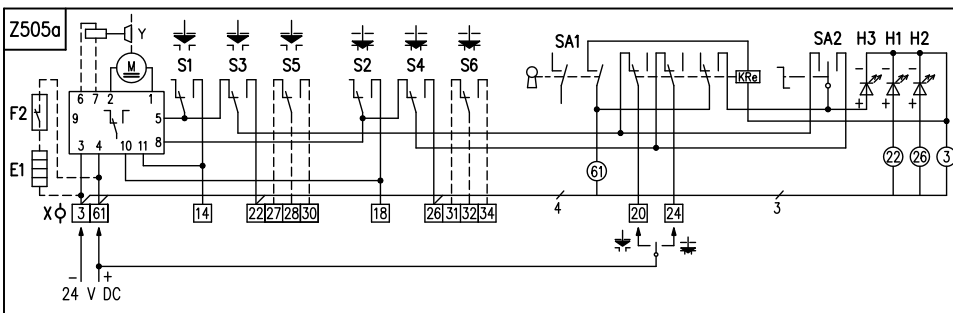
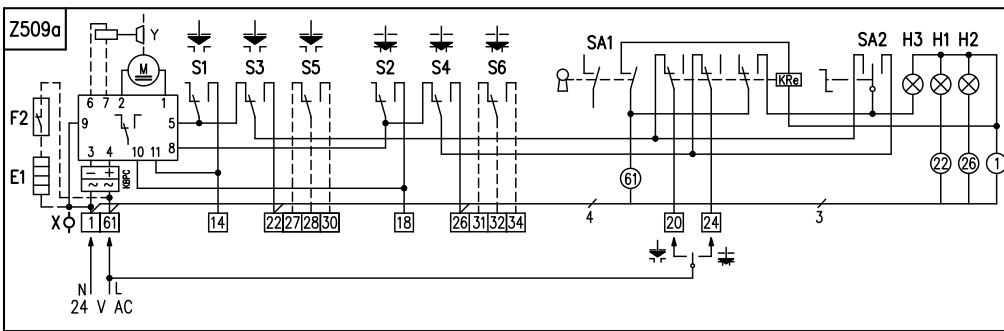
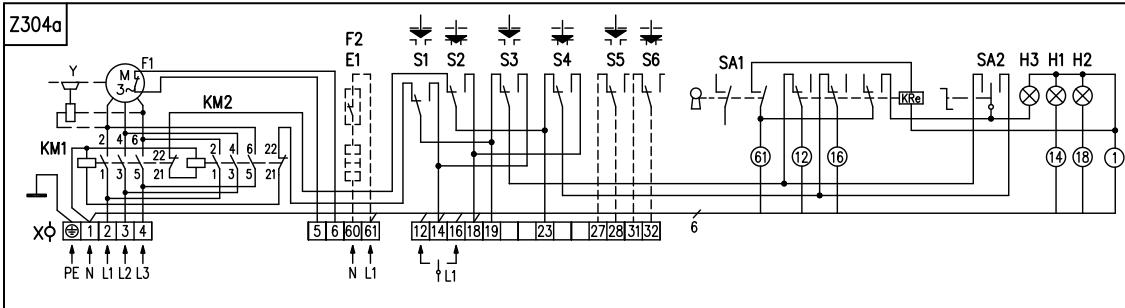
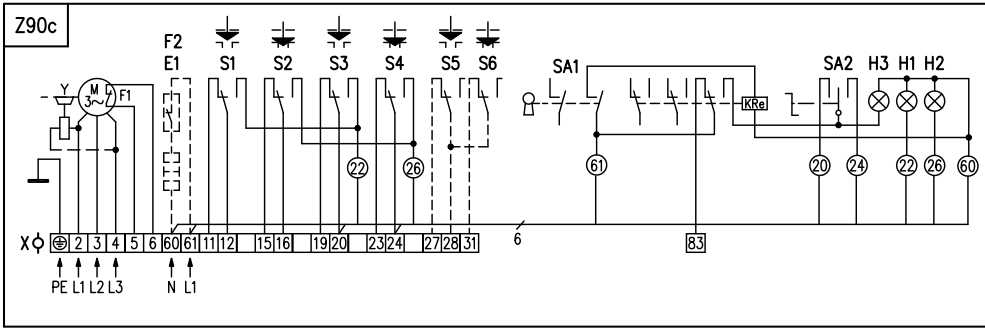


- 1.
- 2.
- 3.
- 4.

24.

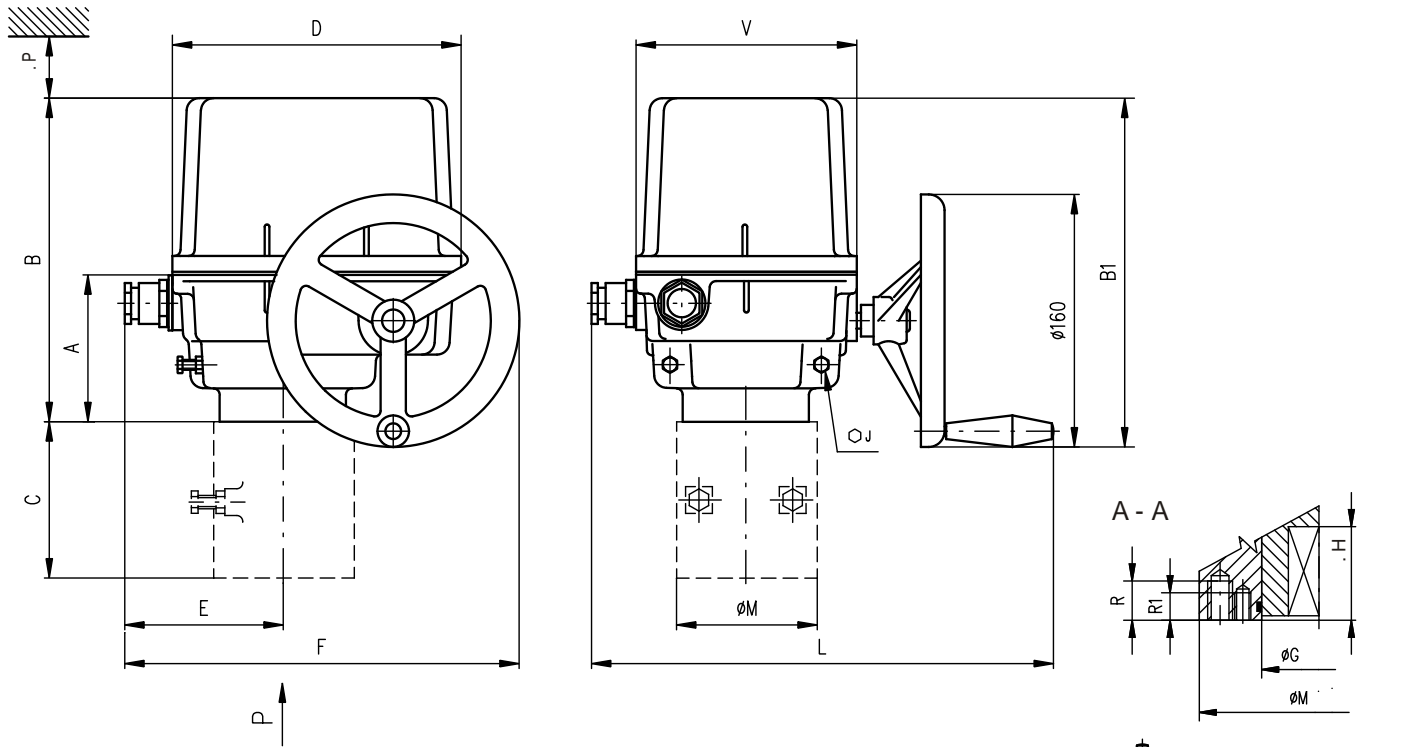
24 VAC

PE.



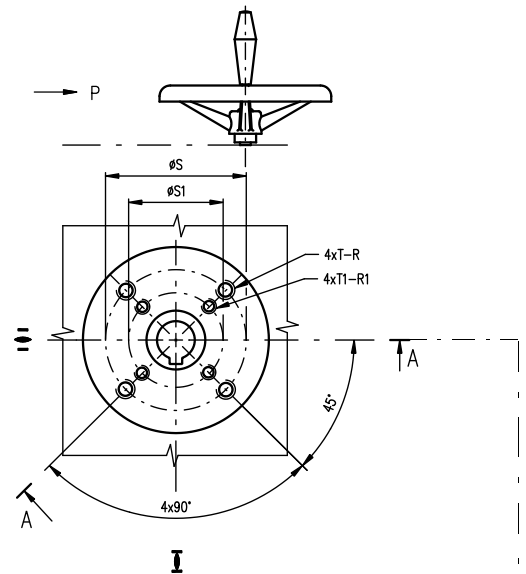
Z1	:				
Z5 c	,				
Z6	,				
Z10				CPT - 2-	
Z11					
Z12		S1 - S6			
Z78					
Z90c					
Z257			- 3-		
Z260			- 3-		
Z269				- 2-	
Z270i					
Z303					
Z304a					
Z503		SP 1		24 V DC	
Z503a		SP 2, SP 2.3, SP 2.4			24 V DC
Z505		SP 2, SP 2.3, SP 2.4			24 V DC
Z505b		SP 1		24 V DC	
Z507		SP 1	24 V AC		
Z507a		SP 2, SP 2.3, SP 2.4		24 V AC	
Z509a		SP 2, SP 2.3, SP 2.4		24 V AC	
Z509b		SP 1	24 V AC		
B1	p				
B2	p				
B3				CPT	
C					
E1					
F1					
F2					
H1		" "			
H2		" "			
H3		" "			"
I					
KM1, KM2					
M1					
M3					
R					
R _L					
SA1				- 0 -	"
SA2		" "	- "		
S1		" "	" "		
S2		" "	" "		
S3	"	" "	" "		
S4	"	" "	" "		
S5		" "	" "		
S6		" "	" "		
X					
Y					

SP 1, SP 2, SP 2.3, SP 2.4

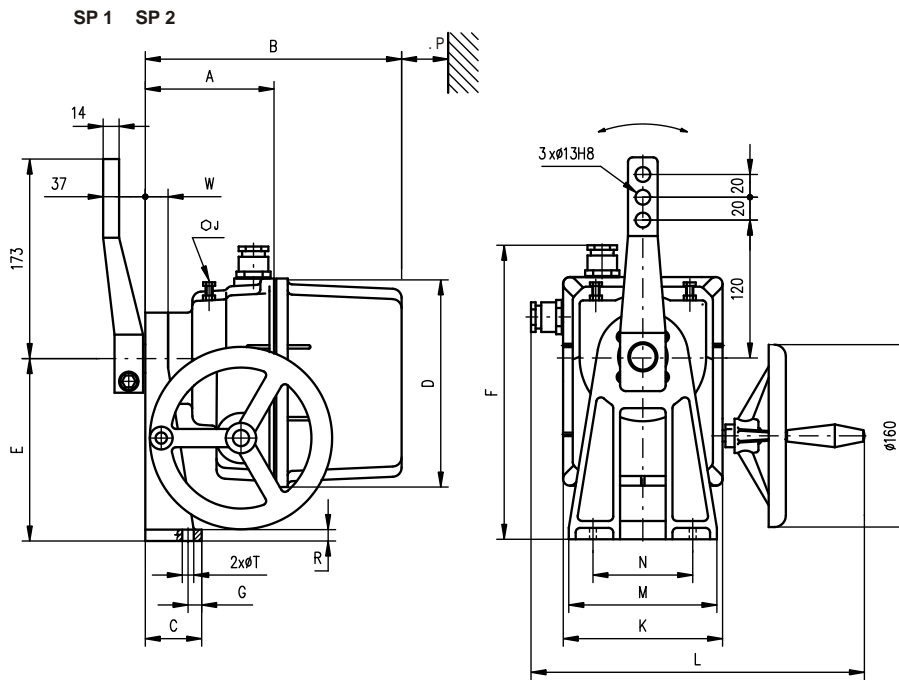


	A	B	B1	C	D	E	F	J	L	M	P	V
SP 1	102	221	229	-	183	93	243	17	280 396*	90	160	140
SP 2				-				17		90		
SP 2.3	117	316	323	112	232	119	294	22	330	125	210	190
SP 2.4				127				22	446*	150		

	G	H	R	R1	S	S1	T	T1	
SP 1	40	37	16	14	70	50	M8	M6	F07/F05
SP 2	40	49	18	14	70	50	M8	M6	F07/F05
SP 2.3	55	56	25	17	102	70	M10	M8	F10/F07
SP 2.4	65	71	30	25	125	102	M12	M10	F12/F10



D-xx (Axx)		L-xx (Bxx)		H-xx (Cxx)			V-xx (D01 - D09)			V-30 (D10)		
ISO		ISO		ISO			ISO					
D-xx	U	L-xx	U	H-xx	U	V	V-xx	W	Z	X		
D-14	14	L-14	14	H-14	14	22	V-20	20.0	22.5	6.0		
D-17	17	L-17	17	H-11	11	18	V-22	22.0	24.5	6.0		
D-22	22	L-22	22	H-8	8	13	V-32.2	32.2	35	6.5		
D-27	27	L-27	27	H-17	17	25	V-17	17.0	19.5	6.0		
D-11	11	L-11	11	H-13	13	19	V-28	28.0	30.9	8.0		
D-16	16	L-16	16	H-22	22	32	V-42	42.0	45.1	12.0		
				H-16	16	22	V-45.4	45.4	48.8	10.0		
				H-27	27	48	V-50	50.0	53.5	14.0		
				H-19	19	28	V-18	18.0	20.5	6.0		
				H-10	10	16	V-30	30.0	32.5	8.0		



	A	B	C	D	E	F	F2	G	W	J	K	L	M	N	P	R	T
SP 1	122	241	50	183	160	258	273 345*	12	20	13	140	280 396*	130	80	160	10	10.5
SP 2	145	344	58	232	200	323	-	30	28	17	190	330 446*	160	90	210	11	12.6

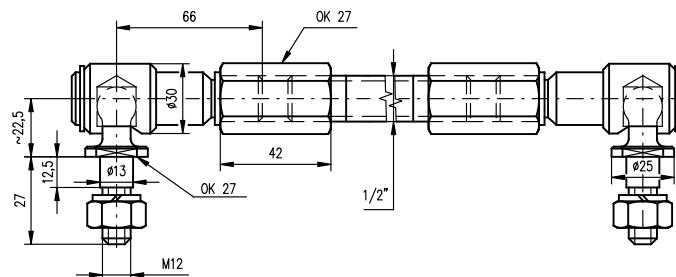
SP 1 SP 2

E

Exx		H	S	U	V	Z	Y	Y1		
		SP 1	24.5	22	6	28	25	2	2	E01
		SP 2	27.9	25	8	35	28	2	2	E02

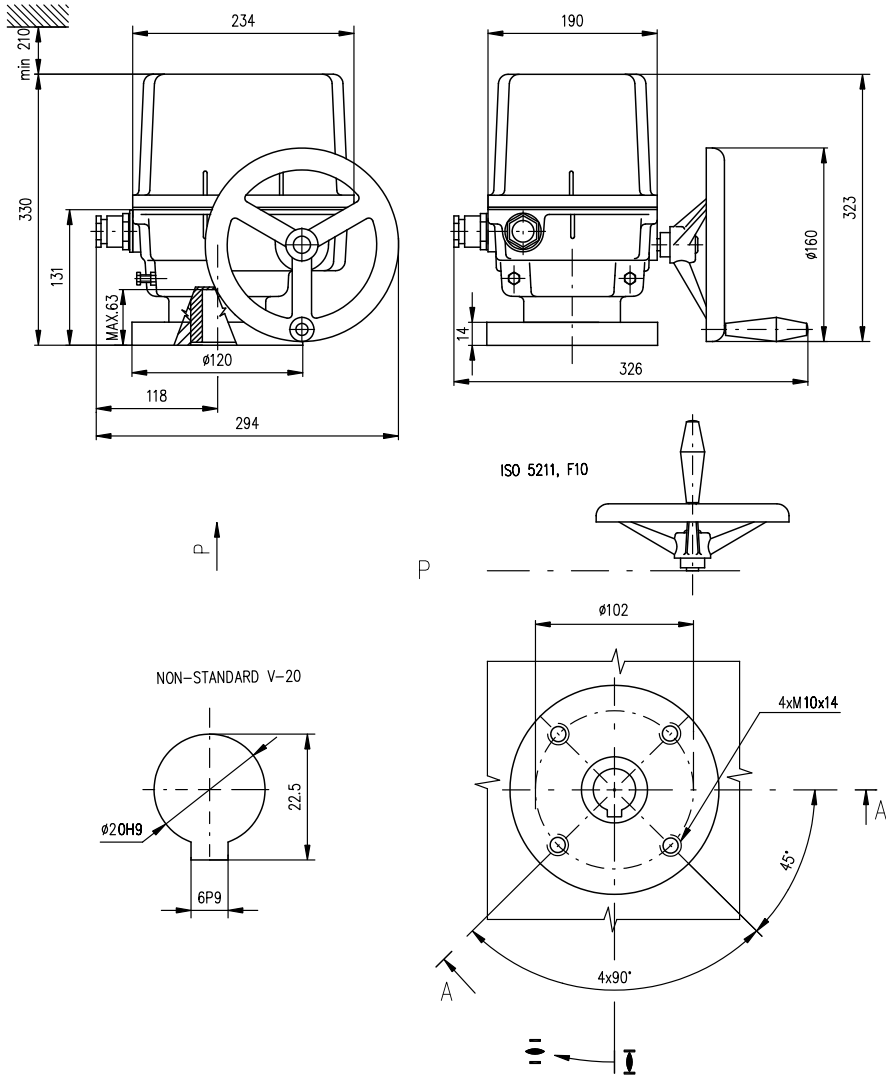
P - 1162

TV 160



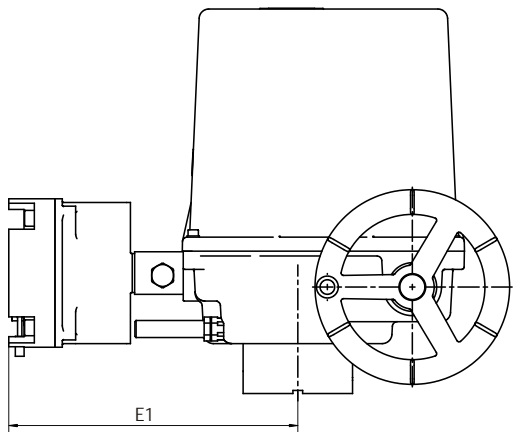
P - 0210

SP 2 F10



P - 2068

SP 1 SP 2



SP 2	P-2148/E	-25 °C / -50 °C	238
SP 1	P-2148/A	-25 °C / -50 °C	238
		o .	E1

P - 2148