



- 24 V AC, 220 V AC
- 2
- IP 65
- ISO 5211

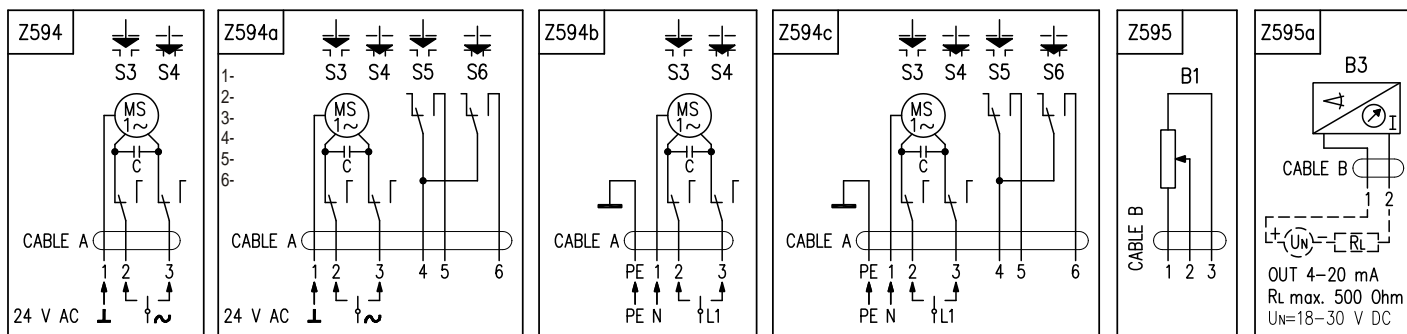
SP MIKRO

260.					X	-	X	X	X	X	X	X	/	X	X
/		o e		10)											
3.1		-20°C ... +60°C		C3		IP 65		0							
2		-20°C ... +60°C		C3		IP 65		6							
- 1 m		230 V AC		Z594b, Z594c		0									
		220 V AC				L									
		24 V AC		Z594, Z594a		3									
33)		50 Hz, 24 VDC		60 Hz											
8 Nm		120 s/90°		100 s/90°		1									
		60°		A											
		90°		B											
		120°		C											
		-		-		-		A							
				1x100 W		Z595		B							
				1x1 000 W				E							
				1x2 000 W				F							
-		2-		4 - 20 mA		Z595a		S							
ISO 5211		F04		61)		P-2126		B							
				D-9		9x9		T							
				L-9		9x9		A							
				D-11		11x11		S							
				L-11		11x11		M							
				H-8		8x13		G							
				H-9		9x14		U							
				H-11		11x14									
A								-		0		1			
B		2		S5, S6		Z594a, Z594c		0		2					
				: A+B=04											

Poznámky:

- 10) ISO 9223 / EN ISO 12944-2.
 33) S4-25%, 90 - 1200 / S2-15 min, S4-25%, 6-90 / 0.4
 61) 60 , (). 80 %.

SP MIKRO

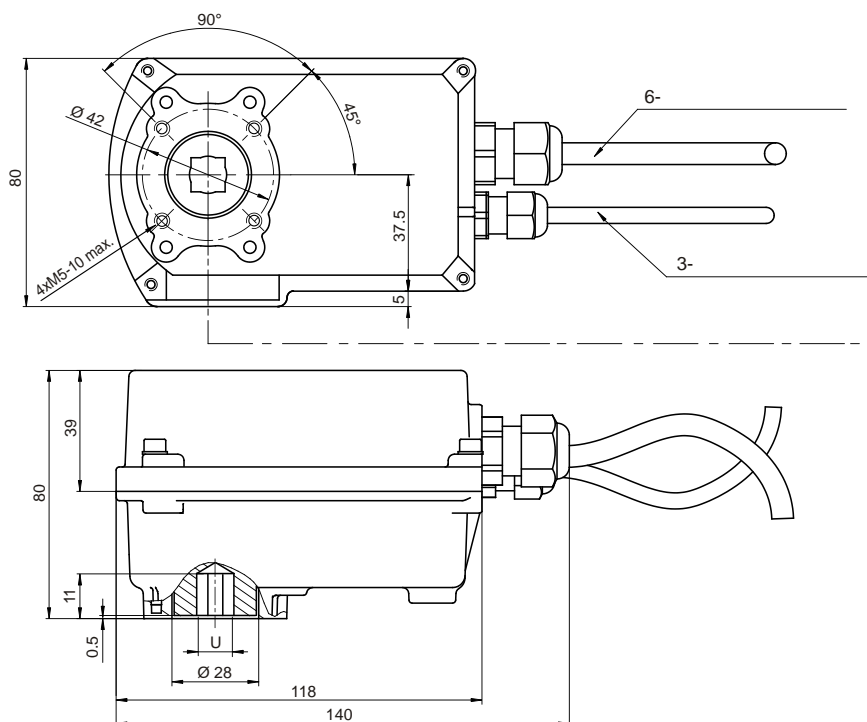


2 :
 A - e - 6x0,5²
 B - - 3x0,5 mm²

Z594	c	24 VAC	S3, S4	
Z594a	c	24 VAC	S3, S4	S4, S5
Z594b	c	220 VAC	S3, S4	
Z594c	c	220 VAC	S3, S4	
Z595	c			S4, S5
Z595a				

- B1
- B3
- C
- RL
- I
- MS
- S3
- S4
- S5
- S6

SP MIKRO



D		L		H	
ISO		ISO		ISO	
D-xx	U	L-xx	U	H-xx	U V
D-9	9	L-9	9	H-8	8 13
D-11	11	L-11	11	H-9	9 14
				H-11	11 14

P-2126